



Document 22-5728

Book 2022 Page 5728 Type CORNR Pages 1  
Date 11/04/2022 Time 10:37 AM  
Rec Amt \$7.00



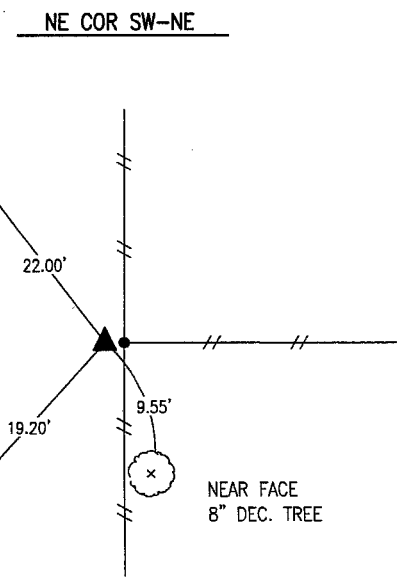
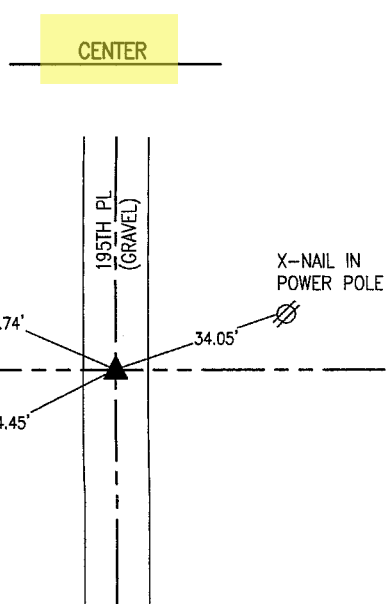
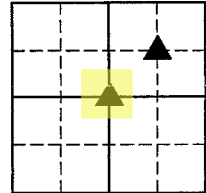
GARDEN & ASSOC.

P.O. Box 451, Oskaloosa, Iowa 52577-0451 Phone: (641)672-2526

NAOMI ELLIS, RECORDER  
MARION COUNTY IOWA

UNITED STATES PUBLIC LAND SURVEY CORNER CERTIFICATE  
OF

Land Survey Monuments situated in Section 7, Township 75, Range 18, of the Fifth Principal Meridian, MARION County, Iowa. Previously recorded in NO CERTIFICATE OF RECORD in County Recorder's Office. Monument Description and Remarks: SEE BELOW



OCTOBER 2022  
COUNTY ENGINEER DOES NOT HAVE RECORDS OF THIS CORNER BEING SET. THERE ARE NO FENCES IN THE VICINITY OF THE CORNER. EXTENDED A LINE SOUTH FROM THE NORTH 1/4 THROUGH THE ROAD P.O.T. AT STATION 9+06.7 (1/2" REBAR) TO A DISTANCE THAT WAS MIDWAY BETWEEN THE NORTH 1/4 CORNER AND SOUTH 1/4 CORNER OF SEC. 7-75-18. THIS ALIGNMENT MATCHES THE P.O.T. FOUND AT 0+00 (1/2" REBAR) AS WELL.

OCTOBER 2022  
COUNTY ENGINEER DOES NOT HAVE RECORDS OF THIS CORNER BEING SET. SET 5/8" REBAR WITH YELLOW CAP #19960 AT ANCIENT 3-WAY FENCE CORNER. THE DISTANCE SOUTH TO FENCE CORNER AT THE SE CORNER OF THE NORTH 6 ACRES OF THE SW-NE OF SEC. 7-75-18 MEASURES WITHIN A FOOT OF RECORD DISTANCE.

I hereby certify that this land surveying document was prepared and the related survey work was performed by me or under my direct personal supervision and that I am a duly licensed Professional Land Surveyor under the laws of the State of Iowa.

*Bobby J. Maddaleno*

10-31-22

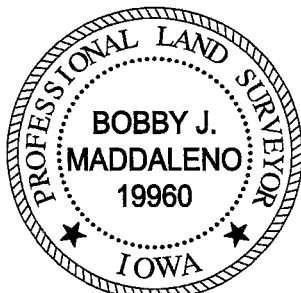
Bobby J. Maddaleno, P.L.S.

Date

License number: 19960

My license renewal date is December 31, 2023

SEAL



List Corners to be Indexed

Corners	Section	Township	Range
CENTER	7	75	18
NE COR SW-NE	7	75	18

Pd \$700 Check - D. + Garden + Assoc ENV