

Recorder's Index
County: MARION
Section 8, T75N, R18W, 5TH P.M.
City: NA
Subdivision: NA
Block: NA
Lot(s): N/A
Proprietor: N/A
Requested By: MARTIN MARIETTA

Instr. Number: 22-4391
 BK: 2022 PG: 4391
 Recorded: 8/15/2022 at 8:55:59.0 AM
 County Recording Fee: \$7.00
 Iowa E-Filing Fee: \$3.13
 Combined Fee: \$10.13
 Revenue Tax:
 NAOMI ELLIS, RECORDER
 Marion County, Iowa

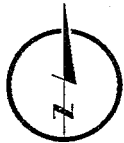
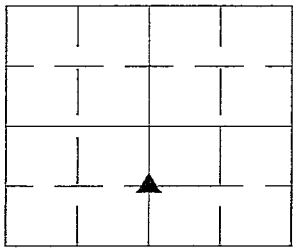
Prepared by: Lamp Rynearson Address: 14710 W. Dodge Rd., Ste 100 Omaha, NE 68154 Phone: (402) 496-2498

UNITED STATES PUBLIC LAND SURVEY CORNER CERTIFICATE FOR

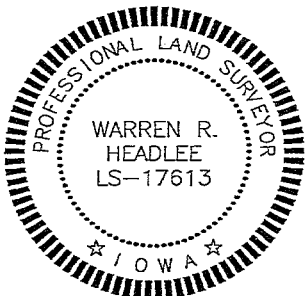
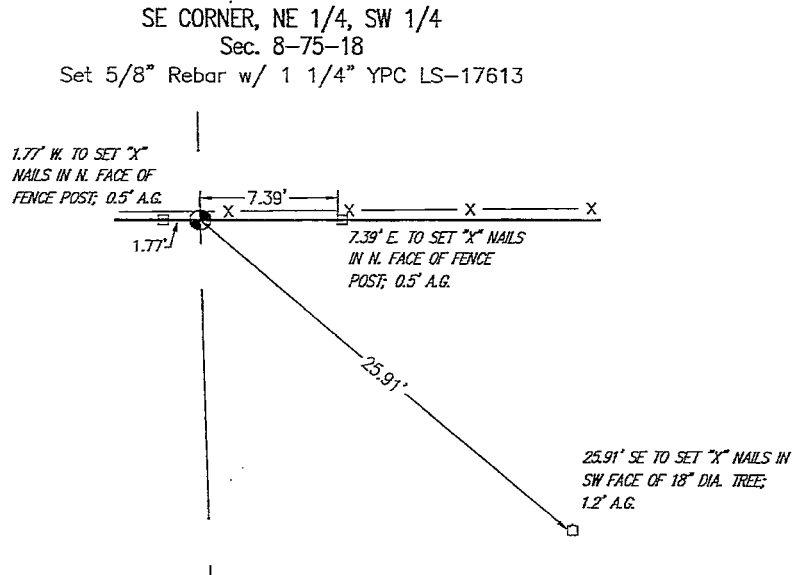
Land Survey monument situated in Section 8, Township 75 NORTH, Range 18 WEST, of the Fifth Principal Meridian, Marion County, Iowa. Previously recorded in NA In County Recorder's Office.

MONUMENT DESCRIPTION AND REMARK SET 5/8" REBAR W/ 1 1/4" YPC LS-17613
 THIS CORNER WAS SET ON LINE, MIDWAY BETWEEN THE EXISTING SOUTH QUARTER CORNER AND THE EXISTING CENTER OF SECTION, BOTH IN SAID SECTION 8.
 ALL DISTANCES ARE HORIZONTAL

PLAN-VIEW



Not to Scale



I hereby certify that this land surveying document was prepared and the related survey work was performed by me or under my direct personal supervision and that I am a duly licensed Land Surveyor under the laws of the State of Iowa.

Warren R. Headlee 8-11-22
 Signature Date

Printed or typed name: WARREN R. HEADLEE

License number: LS-17613

My license renewal date is: DECEMBER 31, 2022

Sheets covered by this seal: 1

Corners to be Indexed
 SE CORNER, NE 1/4, SW 1/4
 Sec. 8-75-18