



GARDEN & ASSOC.

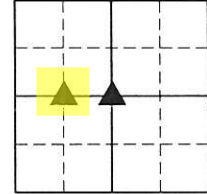
P.O. Box 451, Oskaloosa, Iowa 52577-0451 Phone: (641)672-2526

KAREN SCHWANEBECK, RECORDER  
MARION COUNTY IOWA

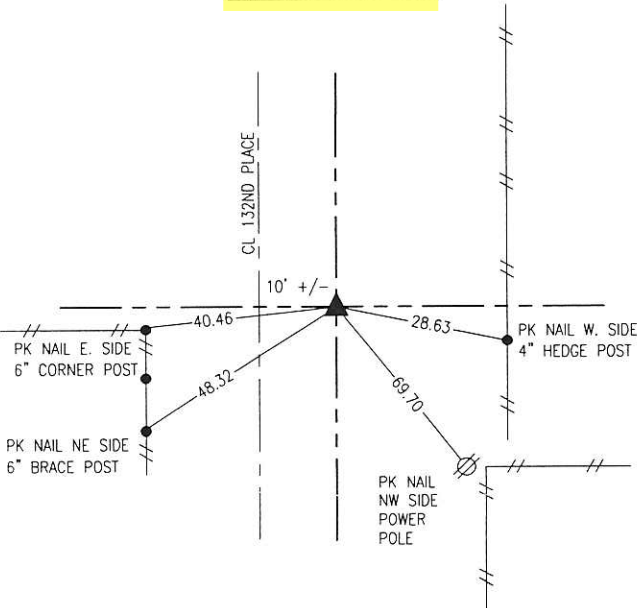
UNITED STATES PUBLIC LAND SURVEY CORNER CERTIFICATE

OF

Land Survey Monuments situated in Section 31, Township 76, Range 19, of the Fifth Principal Meridian, MARION County, Iowa. Previously recorded in NO CERTIFICATE OF RECORD in County Recorder's Office. Monument Description and Remarks: SEE BELOW



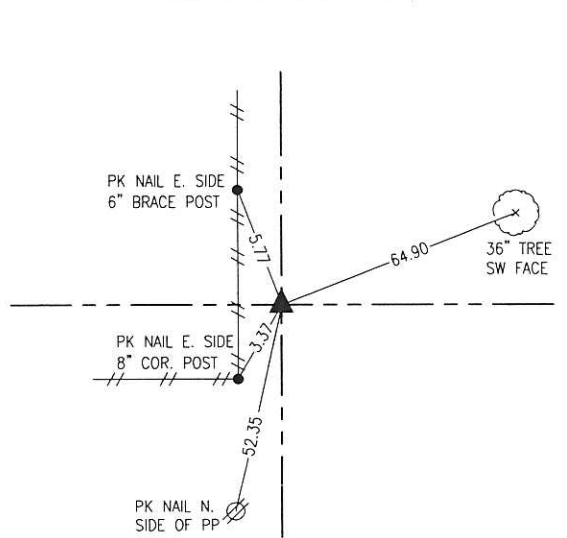
SW COR. SE FR-NW



JANUARY 2020:

SET 5/8" x 30" REBAR WITH YELLOW PLASTIC CAP # 19960 ON LINE BETWEEN THE CENTER AND WEST 1/4 CORNER AT THE PRORATED DISTANCE ACCORDING TO THE ORIGINAL GOVERNMENT MEASURE.

CENTER



MARCH 1990

LS 5594 SET A 5/8" IRON PIN AT THIS LOCATION AS SHOWN ON COUNTY ENGINEER TIES.

MARCH 2002

LS 5594 FOUND AND USED 5/8" IRON PIN AS PART OF THE SURVEY FOR PARCEL B RECORDED IN BOOK 2002 ON PAGE 2309.

JANUARY 2020

COULD NOT FIND 5/8" IRON PIN. IT APPEARS IT WAS OBLITERATED BY THE CONSTRUCTION OF A NEW FENCE. EXTENDED A LINE FROM THE EAST 1/4 THROUGH THE SE CORNER OF THE SW-NE WESTERLY RECORD DISTANCE (1319.30') AND SET A 5/8" REBAR WITH YELLOW CAP # 19960. THIS LOCATION MATCHES THE EXISTING COUNTY ENGINEER TIES.

I hereby certify that this land surveying document was prepared and the related survey work was performed by me or under my direct personal supervision and that I am a duly licensed Professional Land Surveyor under the laws of the State of Iowa.

*Bobby J. Maddaleno*

1-18-20

Bobby J. Maddaleno, P.L.S.

Date

License number: 19960

My license renewal date is December 31, 2021

SEAL



Corners	Section	Township	Range
SW COR. SE FR-NW	31	76	19
CENTER	31	76	19

I R. Brock - Ret Garden & Assoc. enw