



Document 23-3995

Book 2023 Page 3995 Type CORNR Pages 1  
Date 9/25/2023 Time 1:50 PM  
Rec Amt \$7.00

NAOMI ELLIS, RECORDER  
MARION COUNTY IOWA



GARDEN & ASSOC.

P.O. Box 451, Oskaloosa, Iowa 52577-0451 Phone: (641)672-2526

UNITED STATES PUBLIC LAND SURVEY CORNER CERTIFICATE OF

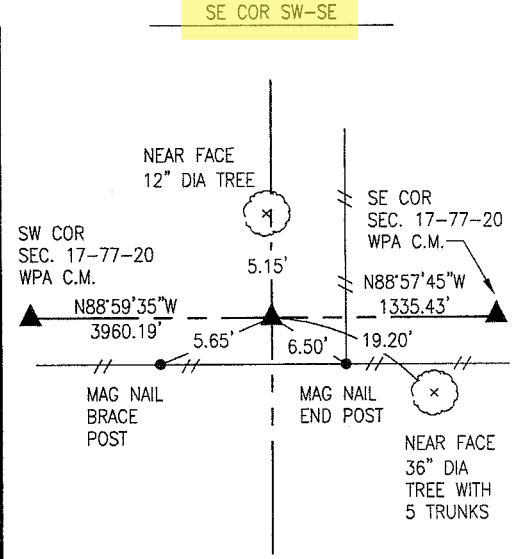
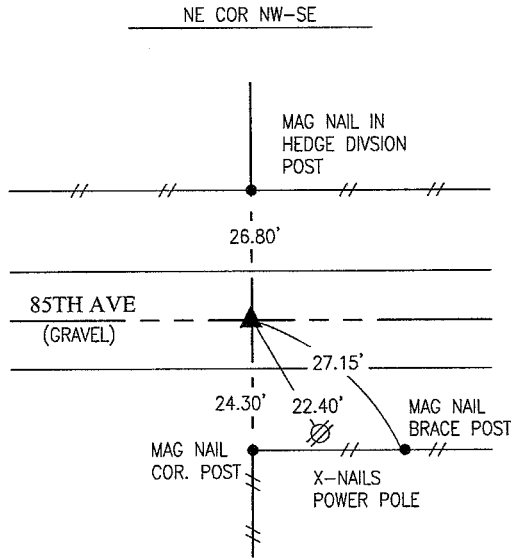
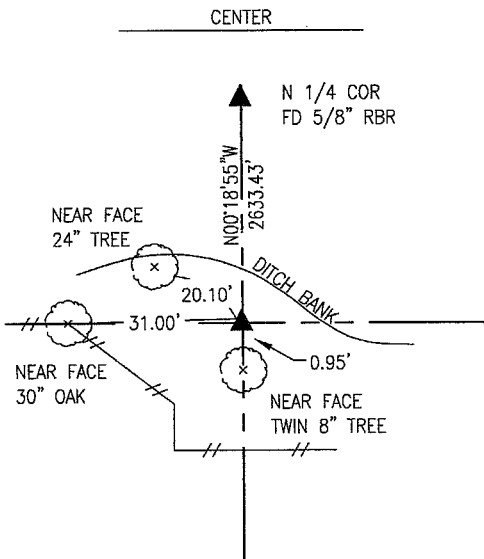
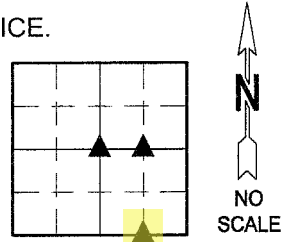
LAND SURVEY MONUMENTS SITUATED IN SECTION 17, TOWNSHIP 77, RANGE 20,

OF THE FIFTH PRINCIPAL MERIDIAN, MARION COUNTY, IOWA.

PREVIOUSLY RECORDED IN NO CERTIFICATE OF RECORD IN COUNTY RECORDER'S OFFICE.

MONUMENT DESCRIPTION AND REMARKS:

SEE BELOW



AUGUST 2023  
SEARCHED IN THE VICINITY OF THE CORNER BUT DID NOT FIND A MONUMENT. THE SOUTH 1/4 HAS BEEN OBLITERATED BY EROSION FROM A DRAINAGE DITCH. EXISTING ROADS ARE BEST EVIDENCE OF CORNER LOCATION. SET 5/8" X 30" REBAR WITH YELLOW CAP #19960 AT ROAD P.I.

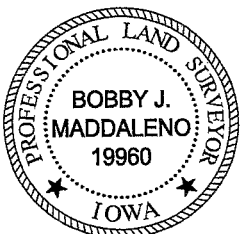
AUGUST 2023  
SEARCHED IN THE VICINITY OF THE CORNER BUT DID NOT FIND A MONUMENT. CALCULATED A POSITION FOR THE E 1/4 USING TWO REMAINING WPA TIES. CALCULATED THE MIDPOINT BETWEEN EAST 1/4 AND CENTER. THIS POSITION LINES UP WITH FENCE SOUTH AND APPROXIMATELY 1.5' SOUTH OF ROAD CL. SET 5/8" X 30" REBAR WITH YELLOW CAP #19960 AT THAT LOCATION.

AUGUST 2023  
FOUND 1-1/2" PIPE APPROXIMATELY 5 FEET NORTH AND 6 FEET WEST OF AN EXISTING END POST BUILT NEXT TO AN ANCIENT FENCE CORNER. CONTACTED THE ARMY CORPS OF ENGINEERS AND WAS PROVIDED MAPS AND NOTES CONFIRMING THE PIPE WAS SET BY THE CORPS. IT DOES APPEAR THE CORP SET IT ON LINE BETWEEN THE SE AND SW CORNER OF SEC. 17-77-20. ALTHOUGH THE PIPE DOESN'T FIT THE LOCAL EVIDENCE, DECIDED TO HOLD IT SINCE IT WAS SET BY A GOVERNMENT SURVEYOR.

I hereby certify that this land surveying document was prepared and the related survey work was performed by me or under my direct personal supervision and that I am a duly licensed Professional Land Surveyor under the laws of the State of Iowa.

LIST CORNERS TO BE INDEXED

CORNERS	SECTION	TOWNSHIP	RANGE
CENTER	17	77	20
NE COR NW-SE	17	77	20
SE COR SW-SE	17	77	20



*Bobby J. Maddaleno* 9/21/23  
Bobby J. Maddaleno, P.L.S. Date  
License number: 19960  
My license renewal date is December 31, 2023

Pd # 700 OK - Ret Garden & Assoc. Env